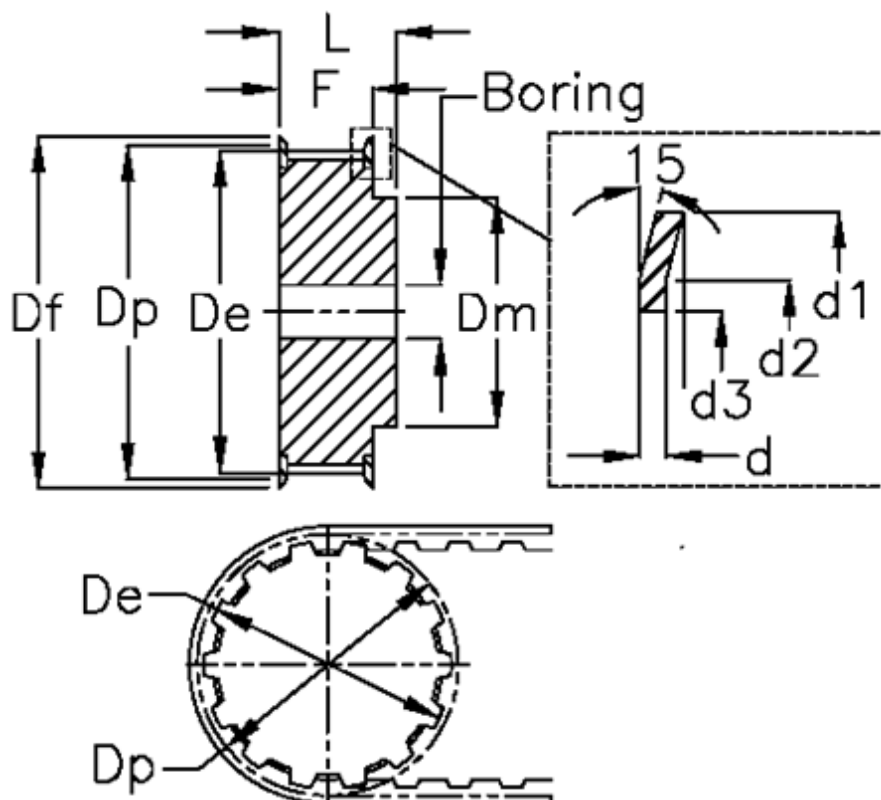


Article number: 60415121020

Description: Timing Belt Pulley 21 T5 20/2

Measures



Belt width = - 10 mm	D_p	= 32
d = 1	F	= 15
d_1 = 36	Flange type	= F12
d_2 = 31	L	= 21
d_3 = 25	Pre-drilled	= 6
D_e = 31	Tooth number	= 20
D_f = 36	Type	= T5
D_m = 23	Weight	= 0.038